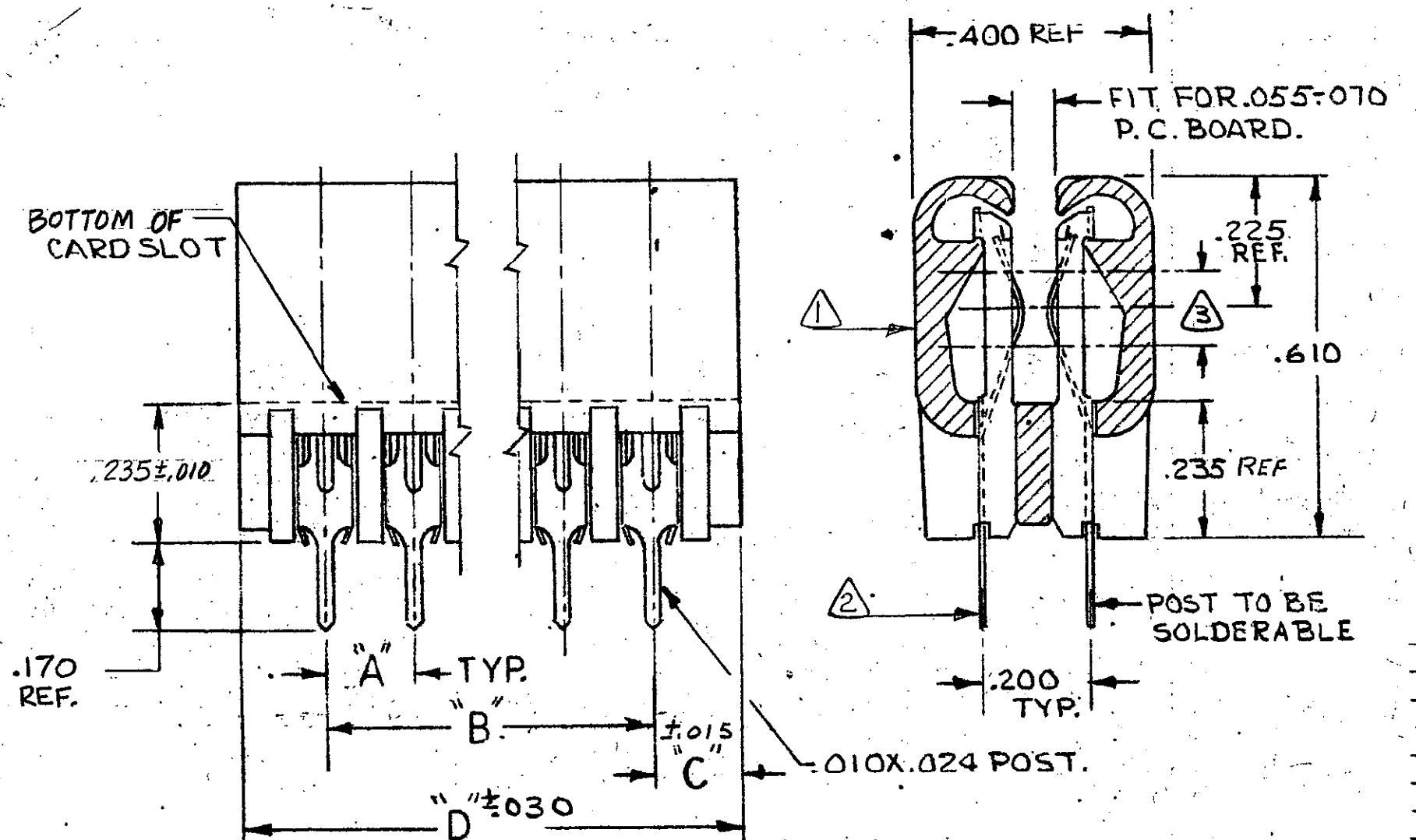


© 1969 BY AMP INCORPORATED. ALL RIGHTS RESERVED. AMP PRODUCTS COVERED BY PATENTS AND/OR PATENTS PENDING.

REVISIONS				
ZONE	LTR	DESCRIPTION	DATE	APPROVED
	W	REV PER EC 0320-209-97	7-7-97	NS

PART NO.	NO. OF POS.	A	B	C	D
583485	1	.100	.300	.100	.500
2	34		3.500	.050	3.400
3	50		4.900	.100	5.100
4	15		1.400	.100	1.600
5	60		5.900	.050	6.000
6	3		.200	.100	.400
7	5		.400		.600
8	6		.500		.700
9	7		.600		.800
583485-0	8		.700		.900
1	9		.800		1.000
1-	2		.900		1.100
1-	3		1.000		1.200
1-	4		1.100		1.300
1-	5		1.200		1.400
1-	6		1.300		1.500
1-	7		1.500		1.700
1-	8		1.600		1.800
1-	9		1.700		1.900
2-583485-0	19		1.800		2.000
2-	20		1.900		2.100
2-	21		2.000		2.200
2-	22		2.100		2.300
2-	23		2.200		2.400
2-	24		2.300		2.500
2-	25		2.400		2.600
2-	26		2.500		2.700
2-	27		2.600		2.800
2-	28		2.700		2.900
2-	29		2.800		3.000
3-583485-0	30		2.900		3.100
3-	31		3.000		3.200
3-	32		3.100		3.300
3-	33		3.200		3.400
3-	34		3.300		3.500
3-	35		3.400		3.600
3-	36		3.500		3.700
3-	37		3.600		3.800
3-	38		3.700		3.900
3-	39		3.800		4.000
4-583485-0	40		3.900		4.100
4-	41		4.000		4.200
4-	42		4.100		4.300
4-	43		4.200		4.400
4-	44		4.300		4.500
4-	45		4.400		4.600
4-	46		4.500		4.700
4-	47		4.600		4.800
4-	48		4.700		4.900
4-	49		4.800	.100	5.000
5-	50		4.900	.050	5.000
5-	1		5.900	.100	6.100
5-	2		3.300	.100	3.500
5-	3		6.600	.100	8.800
5-	4		7.700	.100	7.900
5-583485-5	80	.100	7.900	.100	8.100
5-583485-6	65	.100	6.400	.100	6.600

OBSOLETE



- ⓐ FINISH: .000015 GOLD. SELECTIVE.
- ⓑ SEE SHEET 2 FOR RECOMMENDED PRINTED CIRCUIT BOARD LAYOUT.

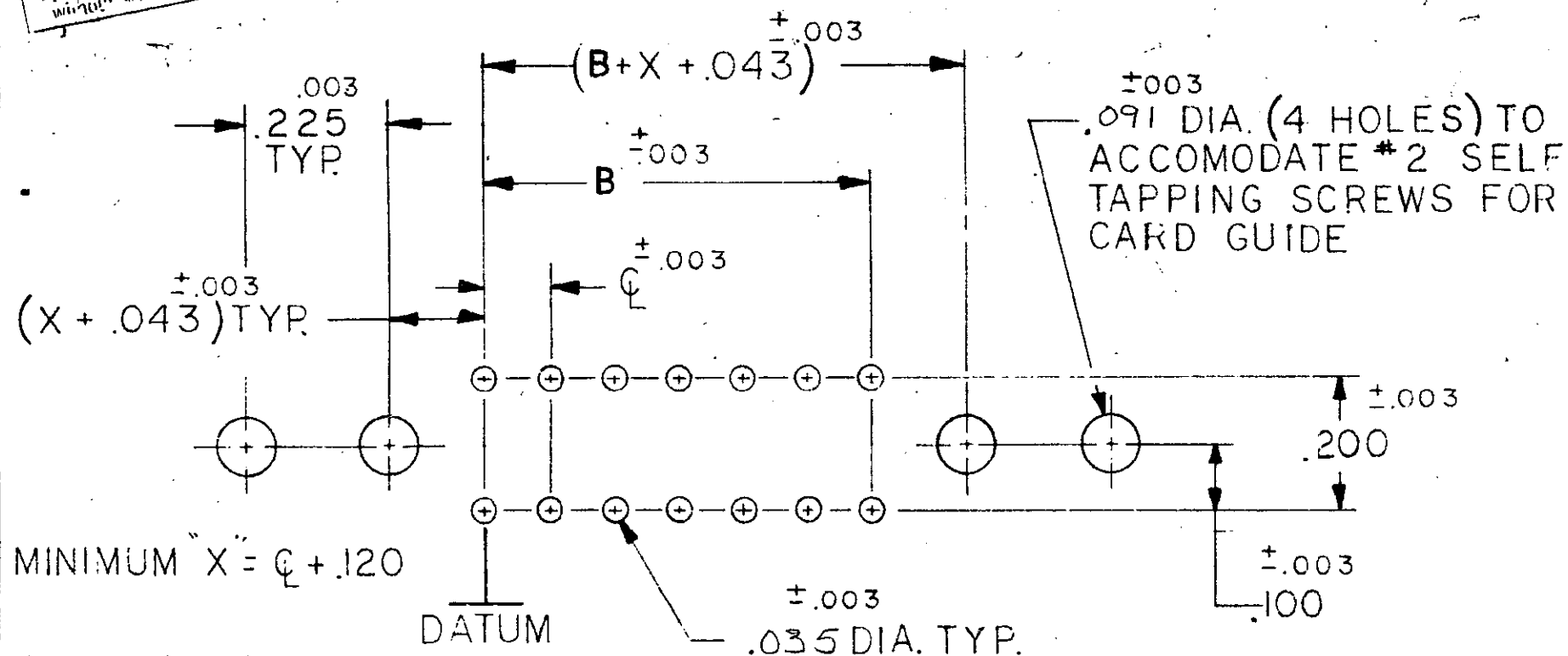
PRINT DIST. 22

UNLESS OTHERWISE SPECIFIED, DIMENSIONS ARE IN INCHES. TOLERANCES ON: DECIMALS ±.005 ANGLES ±.1° MATERIAL ⓐ HOUSING: GLASS FILLED POLYESTER COLOR: BLACK ⓑ CONTACT: PHOS. BRONZE	CONTRACT NO.	AMP INCORPORATED HARRISBURG, PENNSYLVANIA		
	DR <i>Punkle 1-29-73</i>			NAME HOUSING ASS'Y., TWIN LEAF, .100 C, SOLDER TYPE POST,
	CHK <i>M. Zupler 2-5-73</i>	APPD <i>Larry M. Brown 2-5-73</i>	SIZE C	CODE IDENT NO. 00779
	REL <i>E.G. Trumpy 3/13/73</i>	DSGN APPD	NUMBER 583485	SCALE X
OTHER APPD	SHEET 1 OF 2 SHTS.		CUSTOMER DRAWING	

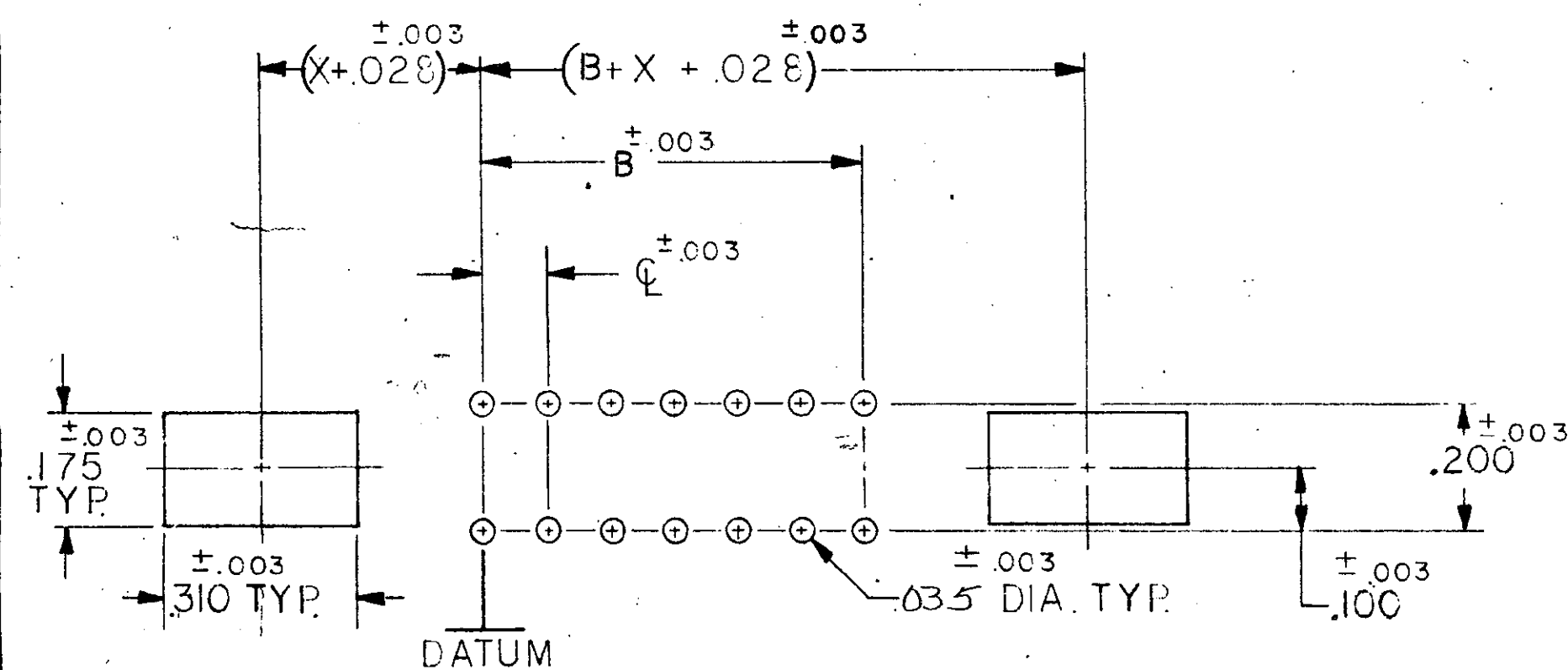
NUMBER 583485

© 1967 BY AMP INCORPORATED. ALL RIGHTS RESERVED. AMP PRODUCTS COVERED BY PATENTS AND/OR PATENTS PENDING.

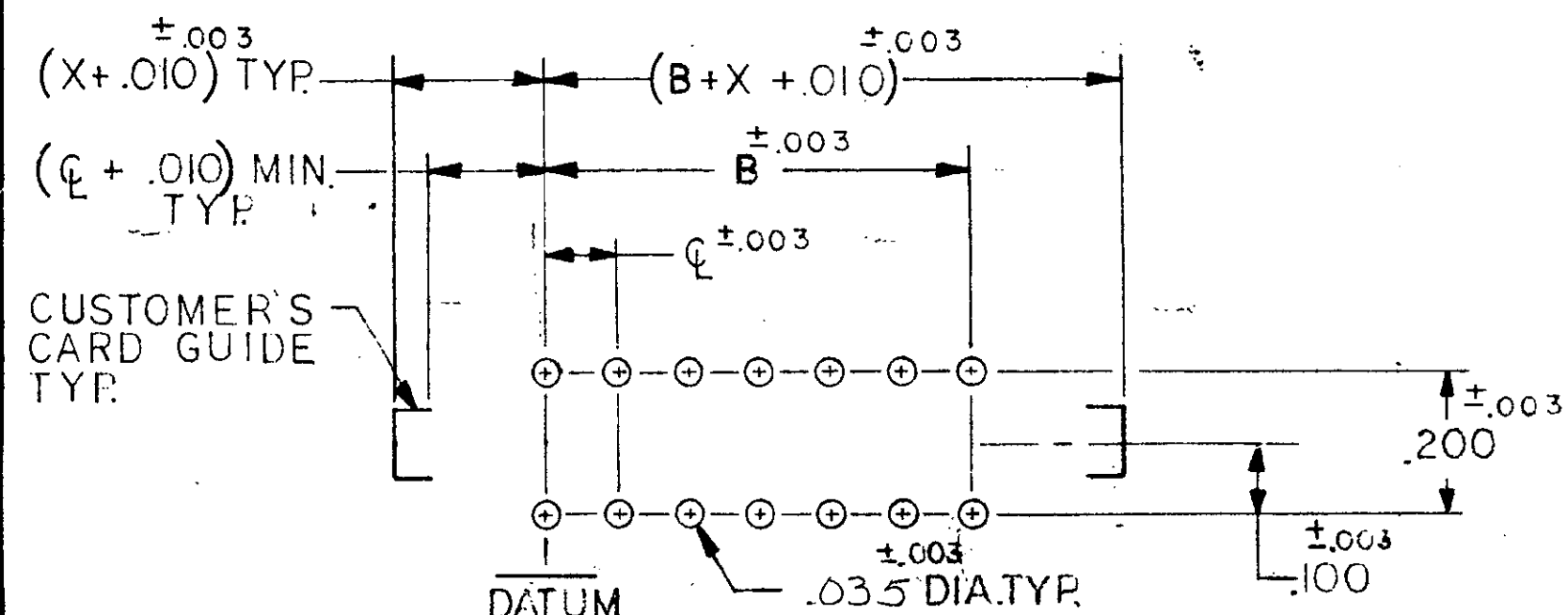
REVISIONS				
ZONE	LTR	DESCRIPTION	DATE	APPROVED
SEE SHEET 1				



BOARD LAYOUT FOR USE WITH AMP CARD GUIDE PART NO. 583671



BOARD LAYOUT FOR USE WITH AMP CARD GUIDE PART NO. 583408 CR 583425

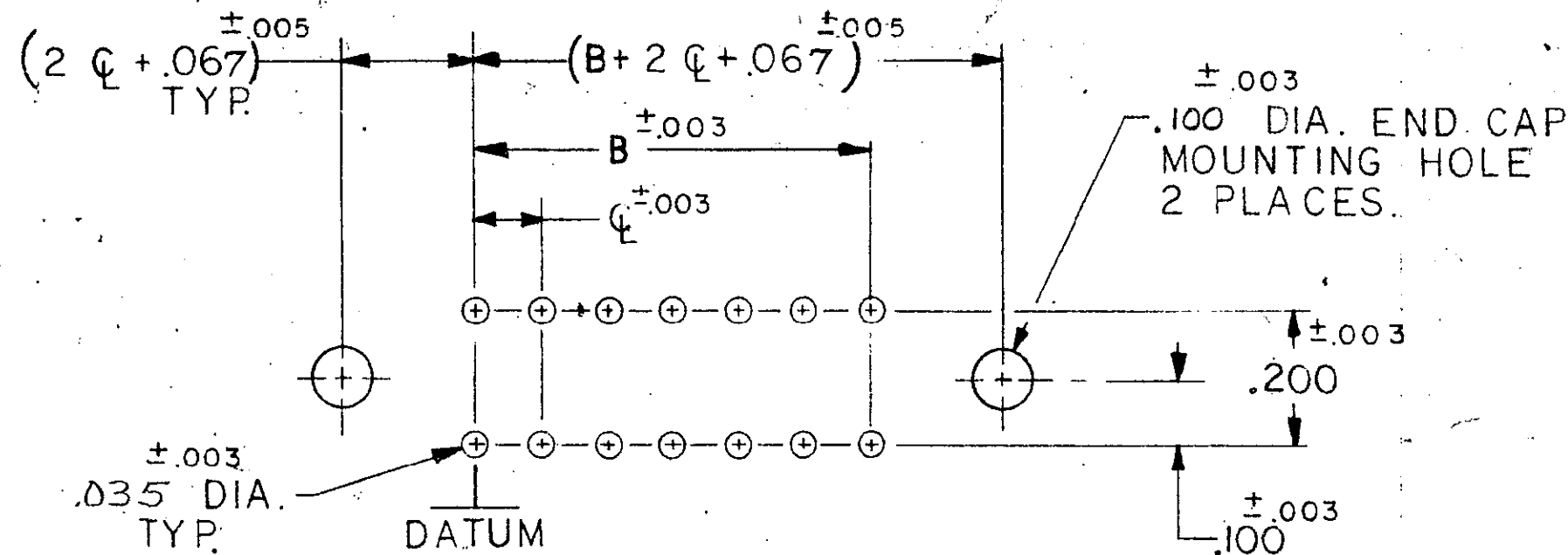


BOARD LAYOUT FOR USE WITH CUSTOMER SUPPLIED CARD GUIDE

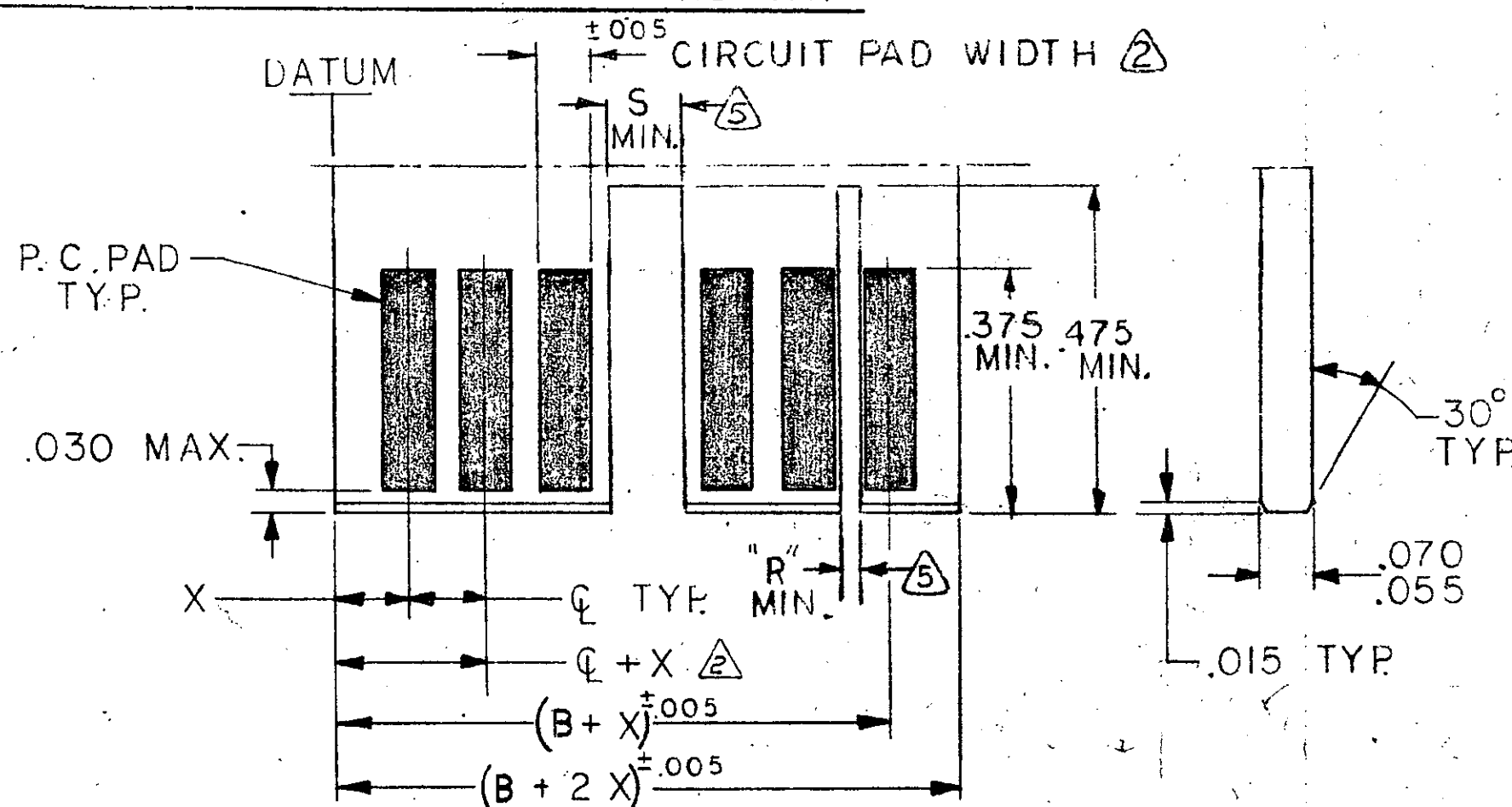
THE SLOT FOR INTER-CONTACT KEYING PLUGS MUST BE CENTERED BETWEEN THE PRINTED CIRCUIT PADS, WHILE THE SLOT FOR ON-CONTACT KEYING PLUGS MUST BE CENTERED ON THE AREA OF A PRINTED CIRCUIT PAD.

INTER-CONTACT KEYING PLUG.	"R" FOR CENTER LINE SPACING	FOR CENTER LINE SPACING
530030-1	.050	.125-.150-.156
530030-2	.040	.100

ON CONTACT KEYING PLUG.	"S" FOR CENTER LINE SPACING	FOR CENTER LINE SPACING
583714-1	.129	.100-.125
583714-2	.160	.150-.156



BOARD LAYOUT FOR USE WITH END CAP



DAUGHTER BOARD LAYOUT

- MAX. ALLOWABLE WARPAGE OF MOTHER BOARD NOT TO EXCEED .005/IN. MAX. ALLOWABLE BOW OF DAUGHTER BOARD NOT TO EXCEED .010/IN. THICKNESS OF MOTHER BOARD IS .062 FOR DOUBLE SLOTTED CARD GUIDES AND .104 MAX. FOR ALL OTHER MOUNTING CONDITIONS.
- EACH PAD LOCATION INCREASES BY $C \pm .005$ WITH A NON-CUMULATIVE TOLERANCE OF $\pm .005$.
CIRCUIT PAD WIDTH - .052 FOR .100 C
.072 FOR .125 C
.072 FOR .150 C
.080 FOR .156 C
- DIMENSIONS APPLY TO BOTH SIDES OF DAUGHTER BOARD.
- C INCREMENTS ON MOTHER BOARD HAVE $\pm .003$ NON-CUMULATIVE TOLERANCE.
- "X" IS A CUSTOMER CONTROLLED DIMENSION EXCEPT FOR END CAP ASSEMBLIES WHERE "X" = $C - .008$

UNLESS OTHERWISE SPECIFIED, DIMENSIONS ARE IN INCHES TOLERANCES ON : DECIMALS ± ANGLES ±	CONTRACT NO.	AMP INCORPORATED HARRISBURG, PENNSYLVANIA
	DR <i>Rumble</i> 1-29-73	
MATERIAL	APPD <i>Larry M Brown</i> 2-14-73	NAME HOUSING ASSEMBLY TWIN LEAF CONNECTOR 100 CENTERS.
	REL <i>R. L. Trump</i> 3/13/73	
DSGN APPD	OTHER APPD	SIZE C
		CODE IDENT NO. 00779
		NUMBER 583485
		SCALE
		SHEET 2 OF 2 SHTS.

NUMBER 583485